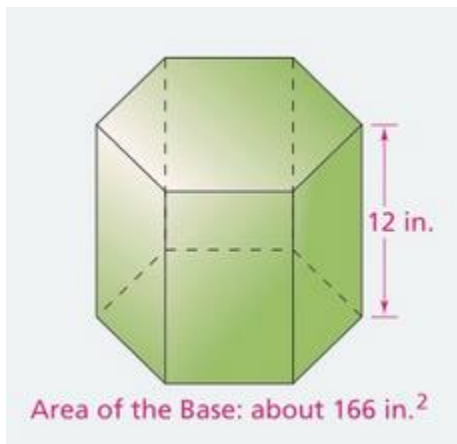
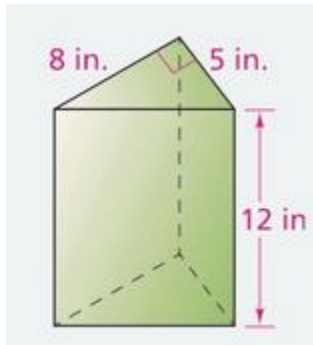
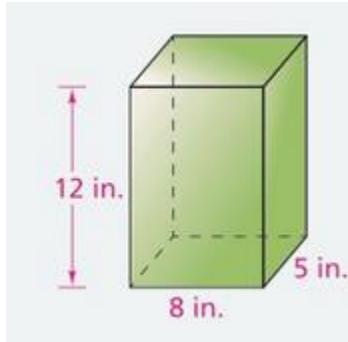


A) Find the volume of the prisms below.



1. How are the volumes of the prisms related?

2. Describe a general strategy for finding the volume of each prism. How does your strategy help you compare the volumes of the prisms?

B) 1. A triangular prism has a right triangle base with one leg 4 inches and the other leg 7 inches. The height of the prism is 11 inches. What is its volume?

2. What is the volume of an octagonal prism whose base area is 15 square centimeters and whose height is 4.5 centimeters?

C) Describe a strategy for finding the volume of any prism. Give examples.